



# TECHNICAL DATA SHEET

1600-S-008

## 1600 DESIGNER SERIES SPECIALTY SWITCHES



1682/2W PAC



1683/2W PNAC

### Description

A range of switch plate is designed for ease of installation and having all the advantages and design features. These products can be quickly installed as replacements for existing switch plate or in new installations.

### Features

- Breakthrough in style with quality plate finishes of pleasant curved design
- Use of high impact resistant material, flame retarding & UV stabilized polycarbonate
- Innovative front fitting modular system with resist frontal impact
- This modular system provides maintenance versatility and cost effective
- Comes in various indicator colors, symbol & markings
- Large terminal faces to provide maximum installer versatility even in confined spaces
- Clip on covers conceal mounting screws, simplify finishing & decorating
- Cover plate comes in metal & polycarbonate with quality gloss finish

### Main Application

Used to activate Air Conditioner Motor Starters.

### Materials & Finish

- Use of polycarbonate for all plastic components
- Brass & Copper for all conductivity components
- All contact point is silver welded for best performance

### Option

Accessories and color options upon request

### Standards & Approvals

Switches comply: BSEN / IEC 60669-1

### Quantity

Box Quantity : 10 pcs  
Outer Box : 100 pcs

## TECHNICAL SPECIFICATION

### Electrical

Voltage rating: 250V a.c.

Unit	Rating	Terminal capacity
16A switches	16A	4 x 1.5mm <sup>2</sup>

### Physical

Ambient operating temperature: -5°C to +40°C

Max. installation altitude: 2000 meters

### Dimension

Plate Size	:	89 x 89 x 12.5mm
Mounting Centres	:	60.3mm

### Note:

For circuit diagram info please refer Modules Technical Data Sheet.

## PRODUCT RANGE

### Specialty Plate

#### Description

2 Gang 2 Way Single Pole with Spring Return marked Air Conditioner

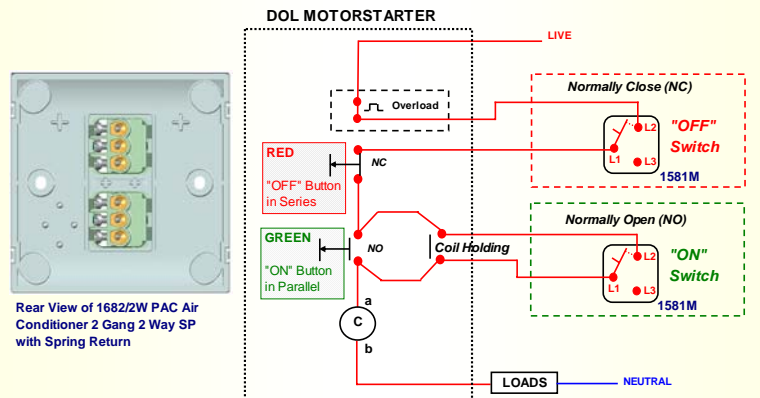
#### CAT No.

1682/2W PAC

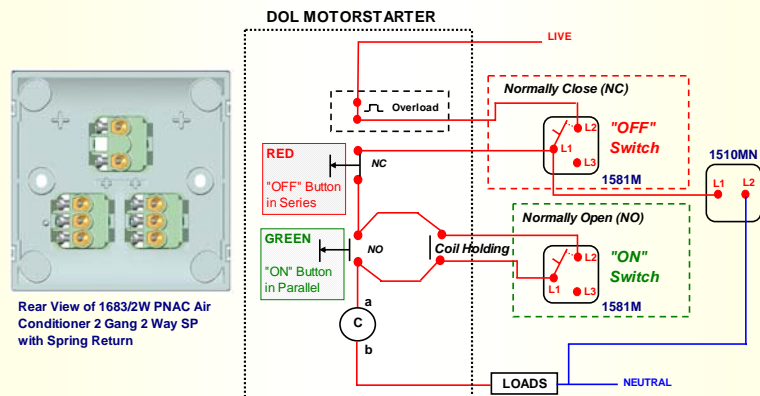
2 Gang 2 Way Single Pole with Spring Return & Neon marked Air Conditioner

1683/2W PNAC

## WIRING DIAGRAM



Rear View of 1682/2W PAC Air Conditioner 2 Gang 2 Way SP with Spring Return



Rear View of 1683/2W PNAC Air Conditioner 2 Gang 2 Way SP with Spring Return